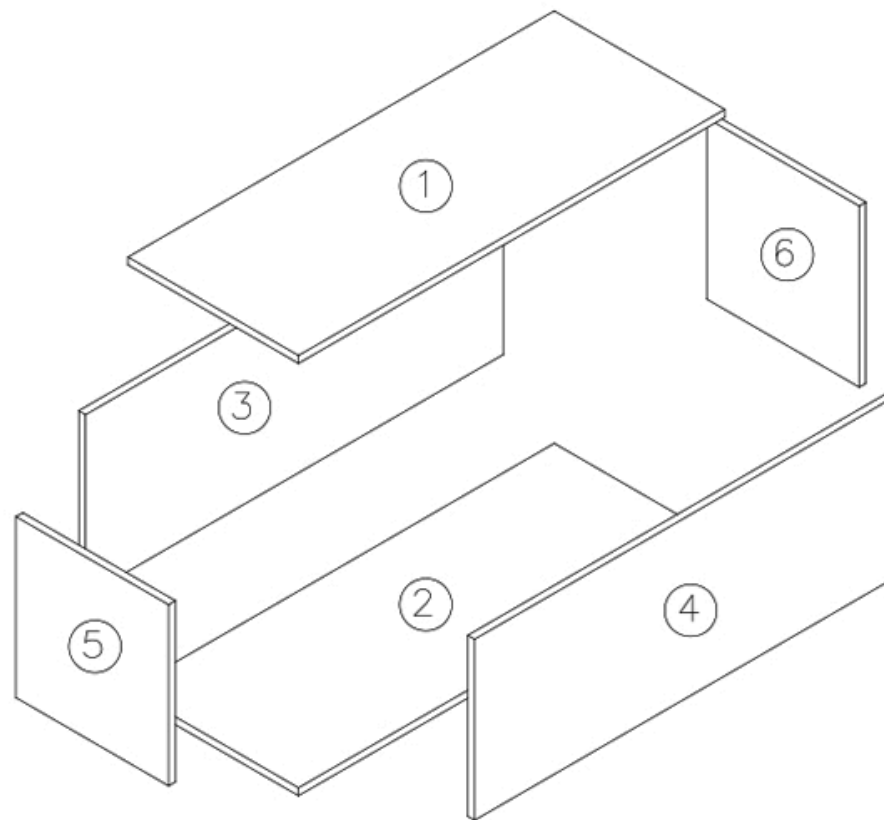
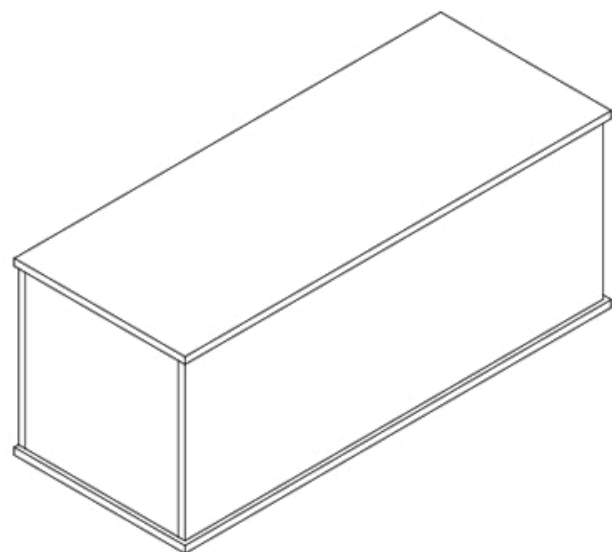



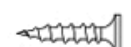



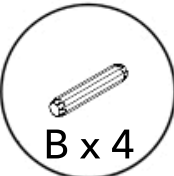
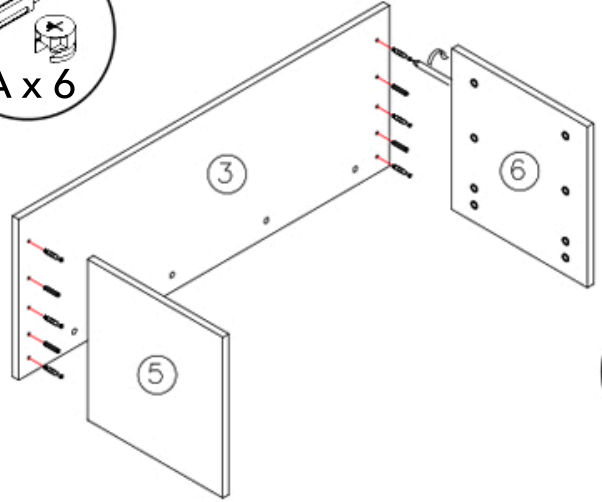


BASD001



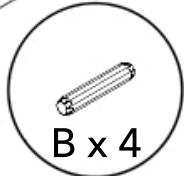
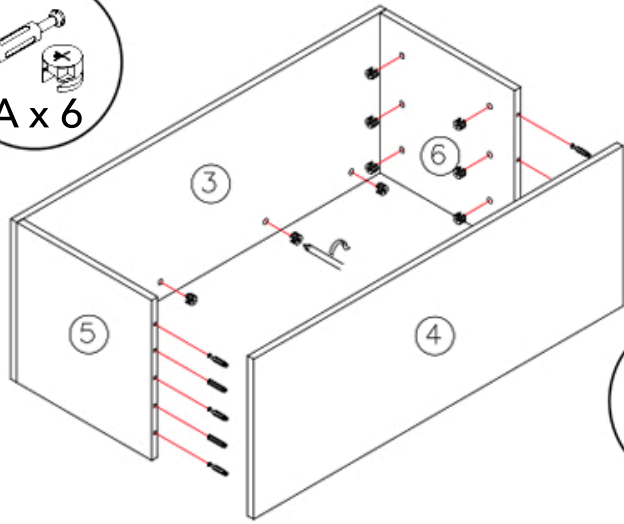
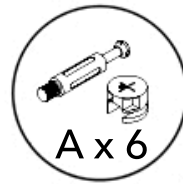
A  24PCS	B  16PCS	C  3PCS	D 3.5*14  22PCS	E 3.5*30  4PCS	F  1PCS	G  4PCS	
---	--	---	--	--	---	---	--

1



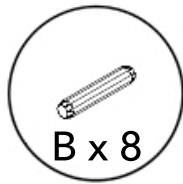
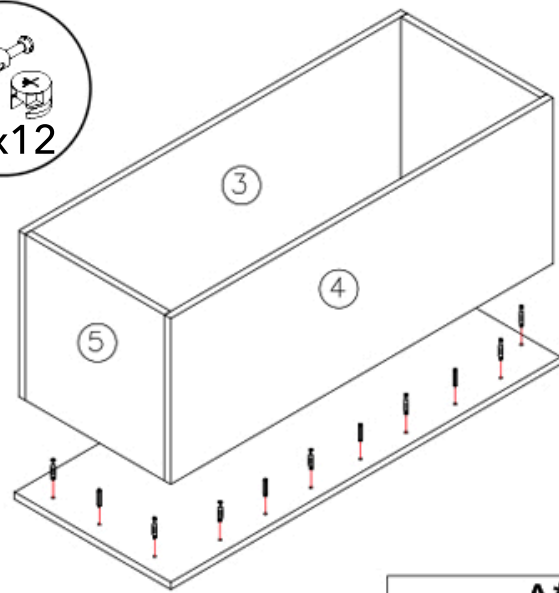
A*6 B*4

2



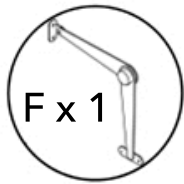
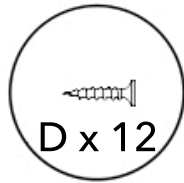
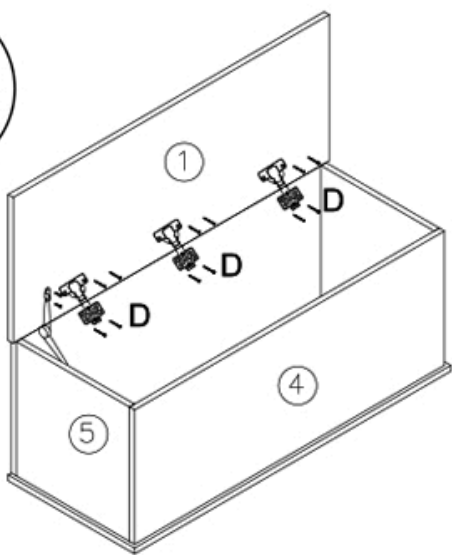
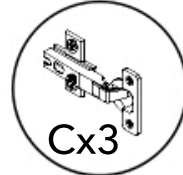
A*6 B*4

3



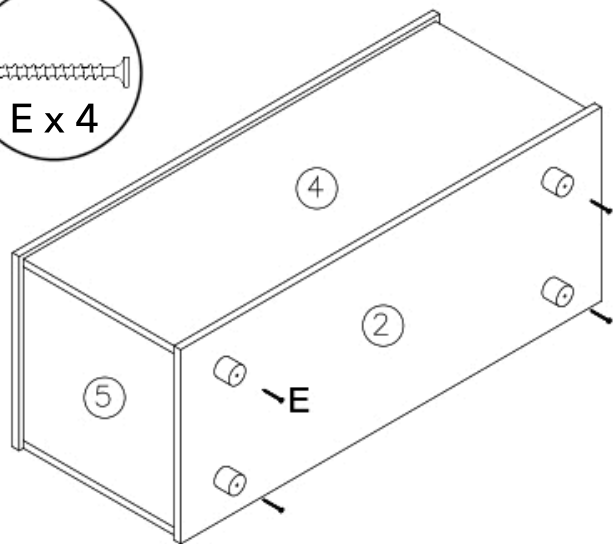
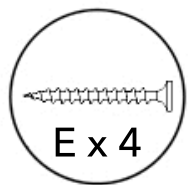
A*12 B*8

4



C*3 D*12 F*1

5



E*4 G*4

6

